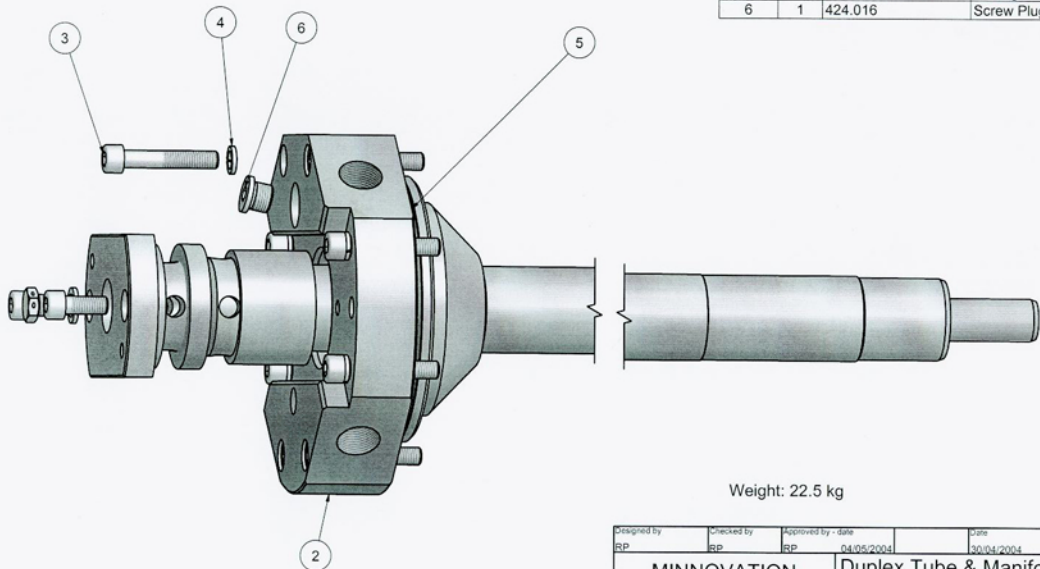


Parts List			
ITEM	QTY	PART NUMBER	DESCRIPTION
1	1	S 51 212	Duplex Tube Assembly
2	1	73091	Goaf Side Manifold
3	8	404.010.055	Skt Head Cap Screw M10 x 55
4	8	418.010	Spring Washer - M10
5	1	203.00.0.1445.0	O Ring
6	1	424.016	Screw Plug M16 x 1.5



Weight: 22.5 kg

Designed by RP	Checked by RP	Approved by - date RP 04/05/2004	Date 30/04/2004
MINNOVATION LIMITED		Duplex Tube & Manifold Assy	
		S 51 198	Edison A Sheet 1 / 1