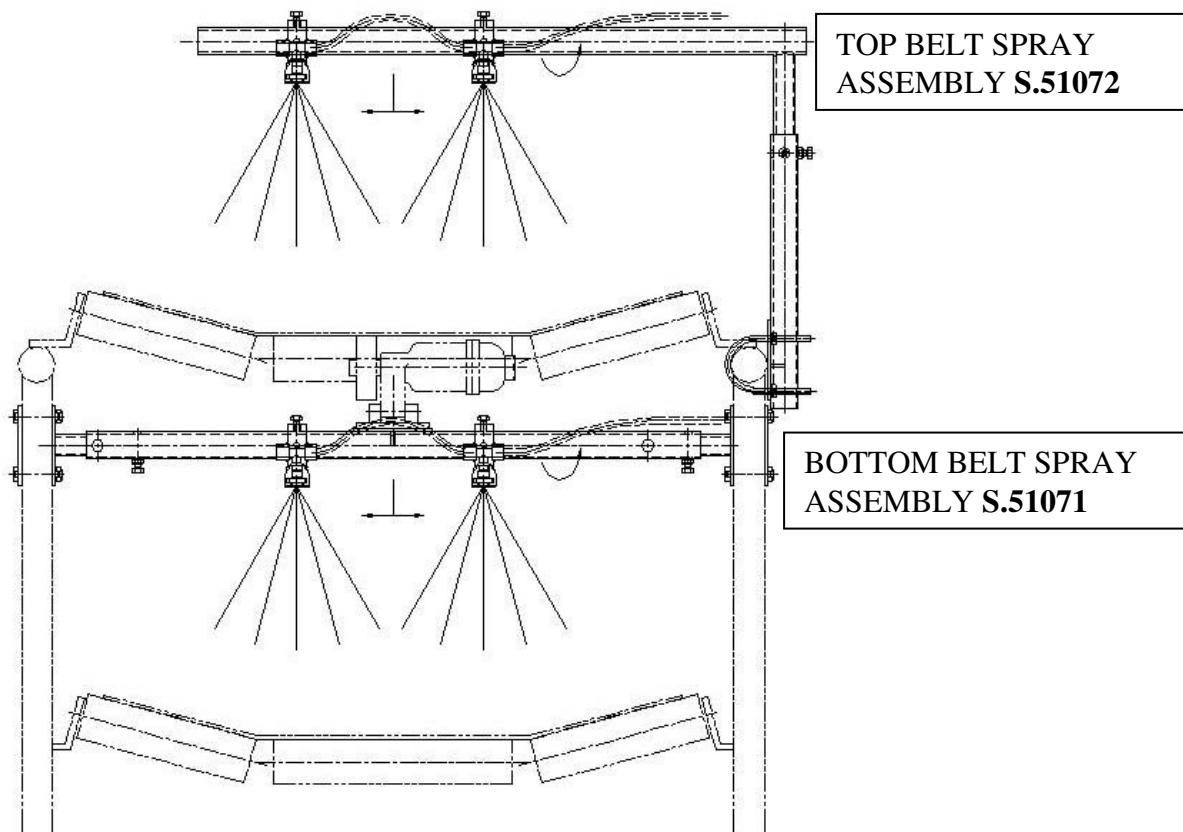


BELT CONVEYOR “SNAPPER” SPRAY SYSTEM



- * Quick release sprays – Extract using small flat blade screwdriver.
- * Hollow Cone – Solid Cone – Fan spray patterns.
- * Fully variable spray positions.
- * Top spray bar may be swung clear of belt for maintenance.
- * Mounting platform for Auto unit on bottom spray bar.
- * Hoses, fittings and control valves etc. are NOT supplied

**Minnovation Limited, Cliffe Hill Works, Balne Lane,
Wakefield, West Yorkshire, WF2 0DF, ENGLAND.**

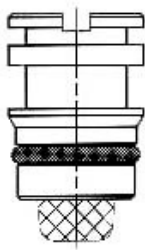
Telephone: +44 (0) 1924 215315 Fax: +44 (0) 1924 215316

E-mail: g.parrott@minnovation.co.uk

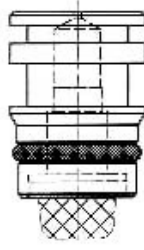
Website: www.minnovation.co.uk



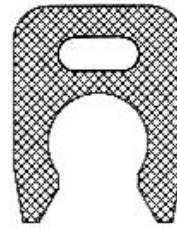
BELT CONVEYOR "SNAPPER" SPRAY SYSTEM



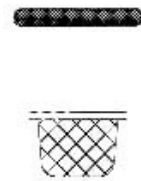
SNAPPER FAN SPRAY
COMPLETE WITH
'O' RING & FILTER
PART NO. 73617



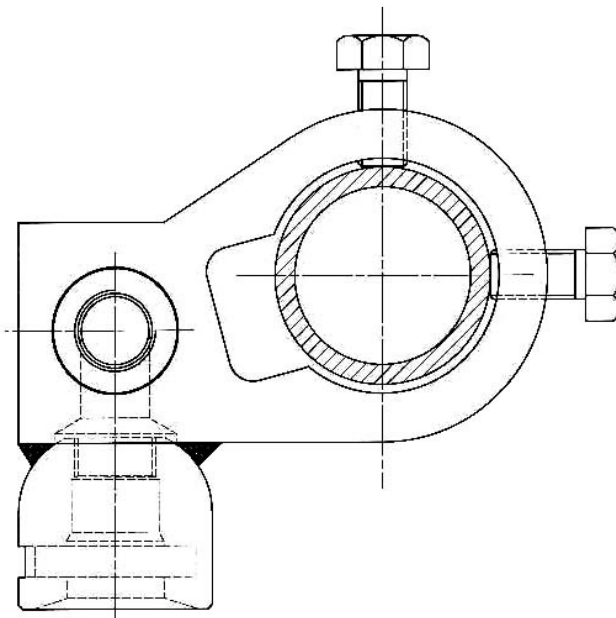
SNAPPER SPRAY
COMPLETE WITH
'O' RING & FILTER
PART NO. 73409



SNAPPER CLIP
PART NO. 73325



'O' RING &
FILTER
PART NO. 73324



SNAPPER SPRAY
MOUNTING BLOCK ASSY
PART NO. 73500

Minnovation Limited, Cliffe Hill Works, Balne Lane,
Wakefield, West Yorkshire, WF2 0DF, ENGLAND.

Telephone: +44 (0) 1924 215315 Fax: +44 (0) 1924 215316

E-mail: g.parrott@minnovation.co.uk

Website: www.minnovation.co.uk